

DESIGNER SERIES RANGE HOOD LINERS

For those who need ventilation performance and desire the commercial style baffle filters, our Designer Series Liner will exceed your expectations.

VSL400 SERIES

Experience...

EASY CLEANING

- Dishwasher safe commercial baffle filters
- Leading edge design is easy to clean. Eliminates grease traps.

QUIET OPERATION

- Rubber-mounted motor & large, squirrel-cage blowers reduce sound and vibration noise (390, 660 & 1360 CFM models)
- Variable or 3-speed motor control (varies by model) reduces blower and air movement sound
- Large, baffle filters reduce air movement sound
- Sound absorbing duct silencers, Neoprene® lined sound absorbing fast clamps & dampers available

ENDURING QUALITY

- Internal motor models deliver 1360 CFM, 660 CFM or 390 CFM-(Code Compliant)
- Optional in-line blowers delivers 1266 CFM or 836 CFM
- Commercial grade stainless steel (#304, 24-gauge) and galvanized steel construction
- Oversized baffle filters improve ventilation performance
- Two dimmable 50-watt halogen lights brighten cooking area; three on 48", 54" & 60" models
- Performance tested by Energy Systems Laboratory at Texas A&M University

DISTINCTIVE LOW PROFILE DESIGN

- Style complements ALL custom and manufactured wood hood designs
- Electronic touch controls with blue LED lighting (3-speed internal motor models). Metallic control knobs on all variable speed in-line blower models.
- Simplicity of design preferred by home owners

EASY INSTALLATION

- Remote blower models pre-wired for use with most in-line or exterior blowers
- Installs easily in standard size or custom built wood range hoods



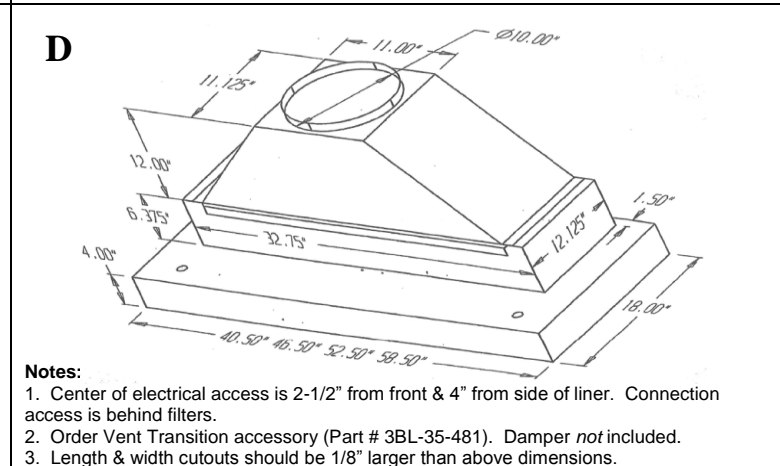
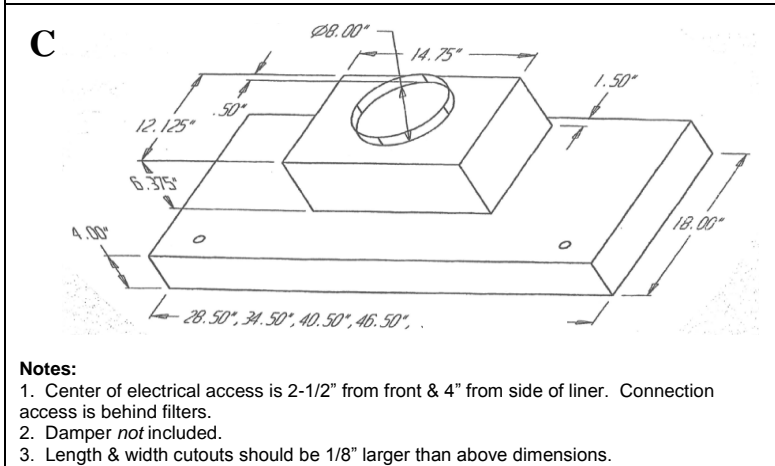
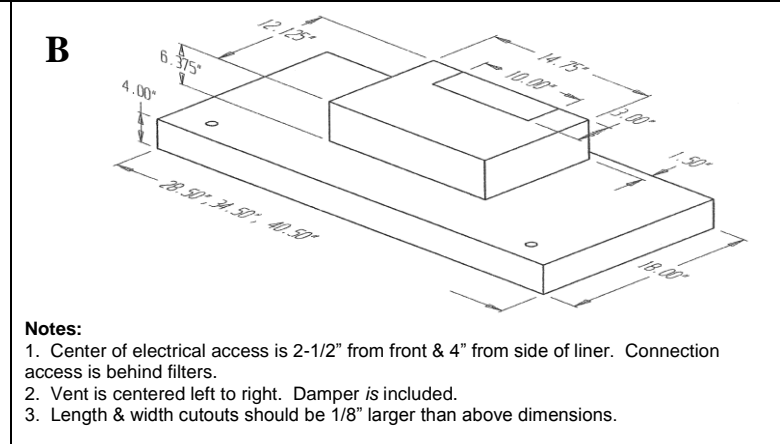
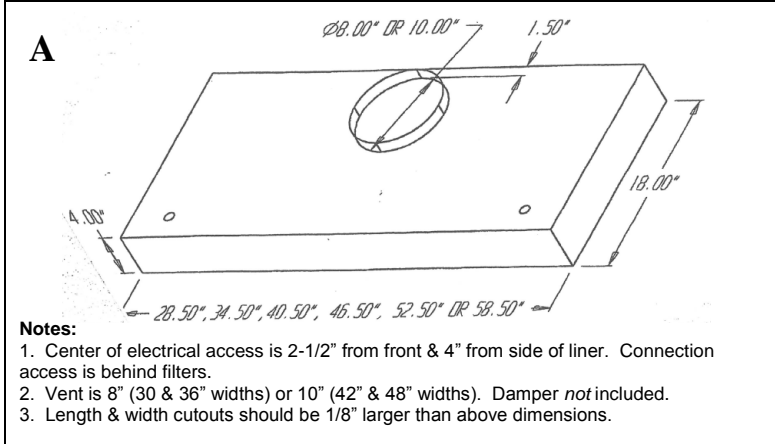
TRADE-WIND

DESIGNER SERIES

RANGE HOOD LINERS

Pic	CFM	Models Available (by Width)						Sones	Control	Blower
		28.5"	34.5"	40.5"	46.5"	52.5"	58.5"			
A	-	VSL430BF	VSL436BF	VSL442BF	VSL448BF	VSL454BF	VSL460BF	N/A	Variable	In-Line or Remote Mount Blower
B	390	VSL430-4BF	VSL436-4BF	VSL442-4BF	-	-	-	7	3-Speed	Internal Motor
C	660	VSL430-6BF	VSL436-6BF	VSL442-6BF	VSL448-6BF	-	-	7.5	3-Speed	Internal Motor
D	1360	-	-	VSL442-12BF	VSL448-12BF	VSL454-12BF	VSL460-12BF	8.5	(2), 3-Speed	Two Internal Motors

**** Drawings A, C & D are also available in 22" depth. Specify when ordering.**



Universal Metal Industries has a policy of continuous improvements and reserves the right to modify (at any time without notice) any or all of its products, features, designs, components and specifications. For further information on installation and wiring, see the installation instructions included with the product or visit us on the web.

For more information please contact your dealer or your Trade-Wind® representative.



**UNIVERSAL
METAL
INDUSTRIES, INC.**

KITCHEN & BATH VENTILATION

800 West Grant Street, Phoenix, AZ 85007

800 875-3654 Phone 800 809-0995 Fax

602 251-3654 Phone 602 251-3889 Fax

umiphx.com customrangehoods.com trade-windonline.com

TRADE-WIND