

PERFORMANCE · QUALITY · CUSTOMER SERVICE

QUIET OPERATION

- Large 3-speed blower operates at lower RPM reducing the sound level

ENDURING QUALITY

- Commercial grade stainless steel (#304 grade) and galvanized steel construction
- LED lights brighten cooking area
- CFM and sound tested by Energy Systems Laboratory at Texas A&M University

DISTINCTIVE LOW-PROFILE DESIGN

- Style complements ALL custom and manufactured wood hood designs
- Simplicity of design preferred by homeowners

EASE OF OPERATION

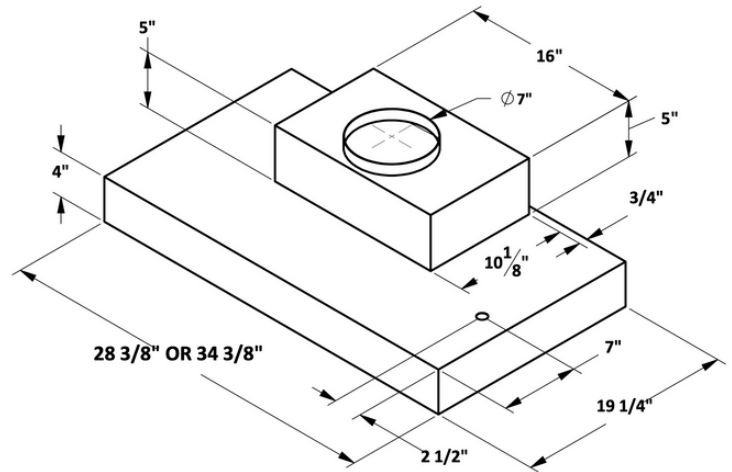
- Remote control included with purchase
- Optional automatic 5 minute shut off timer
- Electronic touch controls with blue LED lighting

SIMPLE INSTALLATION

- Installs easily in standard size or custom-built wood range hoods
- Wiring diagram label for simple electrical connection

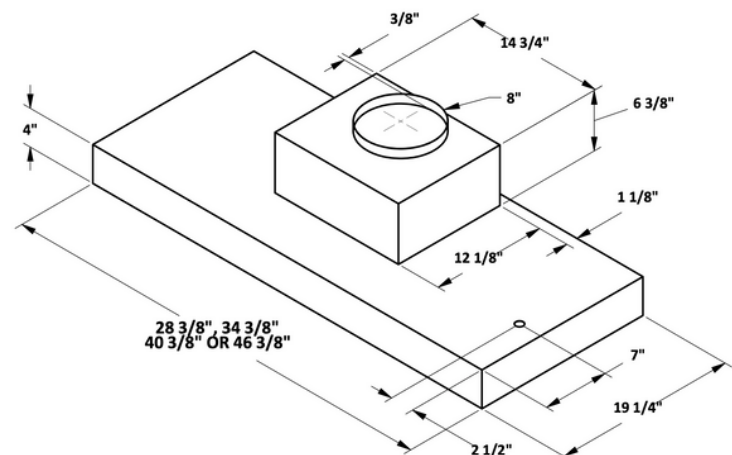
EASY CLEANING

- Dishwasher-safe commercial-style baffle filters with 2 easy-grip handles
- Detergent inlet holes and grease exit holes in baffle filters for superior dishwasher cleaning



390 CFM MODELS

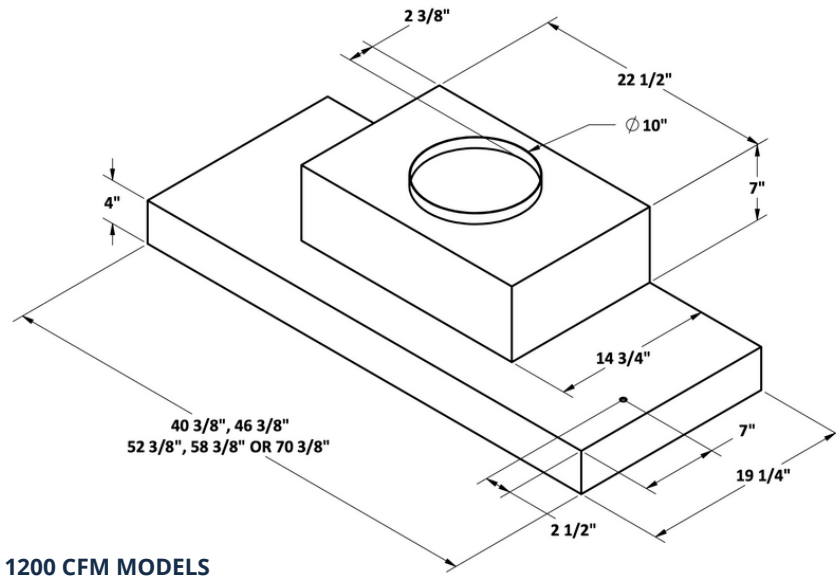
OPTIONAL DUCTLESS CONVERSION KIT MODEL#: 5BL-39-400-DCK



600 CFM MODELS



MODEL	FRONT TO BACK	WIDTH	COLOR	3-SPEED INTERNAL BLOWER	CFM	LED LIGHTS	S/S BAFFLE FLITERS	REMOTE CONTROL	DUCT COLLAR	ELECTRONIC TOUCH CONTROL
VSL430319RC	19 1/4"	28 3/8"	S/S	✓	390	2	✓	✓	7"	✓
VSL430619RC	19 1/4"	28 3/8"	S/S	✓	600	2	✓	✓	8"	✓
VSL436319RC	19 1/4"	34 3/8"	S/S	✓	390	2	✓	✓	7"	✓
VSL436619RC	19 1/4"	34 3/8"	S/S	✓	600	2	✓	✓	8"	✓
VSL442619RC	19 1/4"	40 3/8"	S/S	✓	600	2	✓	✓	8"	✓
VSL4421219RC	19 1/4"	40 3/8"	S/S	✓	1200	2	✓	✓	10"	✓
VSL448619RC	19 1/4"	46 3/8"	S/S	✓	600	3	✓	✓	8"	✓
VSL4481219RC	19 1/4"	46 3/8"	S/S	✓	1200	3	✓	✓	10"	✓
VSL4541219RC	19 1/4"	52 3/8"	S/S	✓	1200	3	✓	✓	10"	✓
VSL4601219RC	19 1/4"	58 3/8"	S/S	✓	1200	3	✓	✓	10"	✓
VSL4721219RC	19 1/4"	70 3/8"	S/S	✓	1200	4	✓	✓	10"	✓



For more information, please contact your dealer or your TRADE-WIND® representative.



800 WEST GRANT STREET
PHOENIX, AZ 85007
1-800-955-5737
602-900-8500
T-WUSA.COM



TRADE-WIND Manufacturing, LLC has a policy of continuous improvements and reserves the right to modify (at any time without notice) any or all of its products, features, designs, components and specifications. For further information on installation and wiring, see the installation instructions included with the product or visit us on the web.

