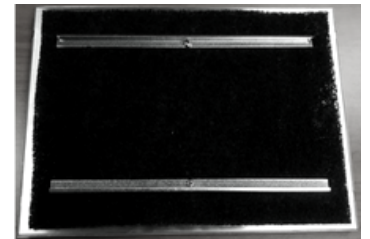


MODEL

5BL-39-400-DCK

CONTENTS:

- CHARCOAL FILTER PADS (2)
- BRACKETS (4)

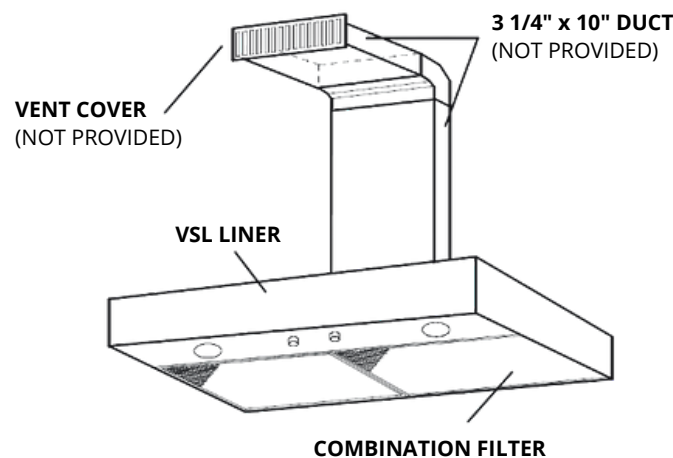


➤➤➤ **NOTE:** Range hood ducting and metal elbows are not included in this kit. These parts are typically available at building supply companies, e.g., Home Depot, Lowe's and most heating & air conditioning supply companies.

INSTALLATION INSTRUCTIONS:

1. Use a screwdriver to unscrew the 2 existing screws in baffle filter. Make sure to hold knob to keep steady during unscrewing.
2. Place the charcoal pad on the underside of the baffle filter. Place 2 brackets, one on upper and one on lower area of filter (with pad on top), and screw the brackets into place using the existing holes (finished product as shown above).
3. Insert the assembled filters into the liner.
4. Design of the duct for ventilation is up to the builder's discretion. The vent can be directed out the top of the cabinet (provided there is an open space between the cabinet top and the ceiling) or out the front of the cabinets. *Note: There must be at least 32 square inches of area to discharge the air back into the kitchen. If not, blow back around the liner edges may occur. *
5. Replace charcoal filter pads as needed. For best performance, replace every 4 – 6 months.

Trade-Wind Manufacturing, LLC has a policy of continuous improvement and reserves the right to modify (at any time without notice) any of its product's designs, components and specifications. For exact dimensions, see the installation instructions included with the product.



800 WEST GRANT STREET
PHOENIX, AZ 85007
1-800-955-5737
602-900-8500
T-WUSA.COM