



Copper Hood Install Guide

1. Unpack the copper hood and the vent system.
2. Remove the Stainless Steel Filters from the vent system
3. Attach the Damper to the Start Collar of the motor housing for all model numbers VSL-XXX-6-BF, or attach the Damper to the Transition Piece to all model numbers VSL-XXX-12-BF. If a Transition Piece is used, attached the Transition Piece to the motor housing at this time. Transition Piece is only used on dual motor systems.

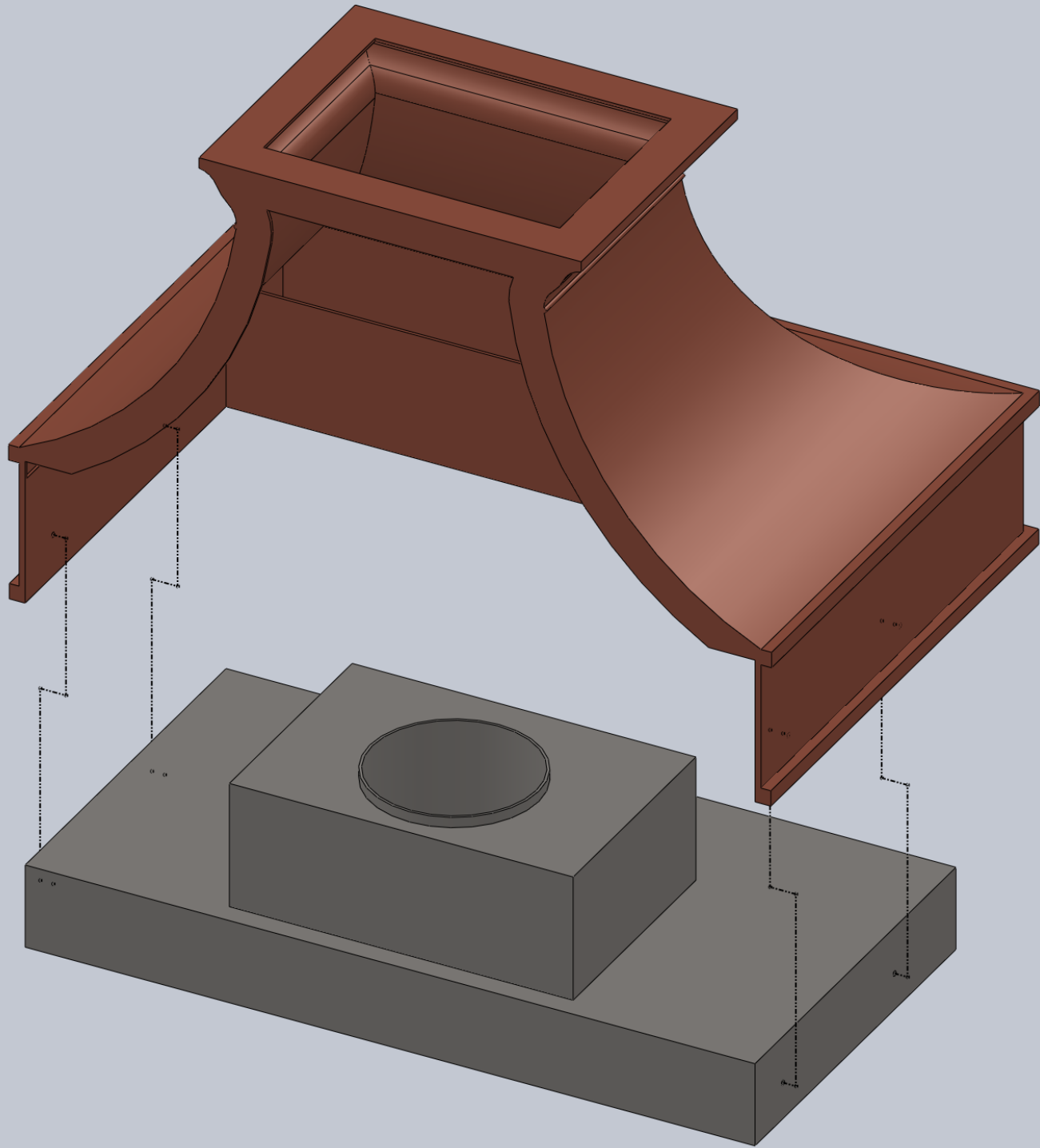
Every wall mount copper hood has a square bar spot welded at the back opening of the hood. This bar is only for shipping purposes. The bar keeps the hood rigid during shipping. The bar will be removed for the install. Once the bar is removed the back ends of the copper opening may bend in slightly. Simply press apart these side panels at the back during install to allow the appropriate room for the liner.

There are strips of copper that line the backside of the copper hood. These are the mounting strips to hang the copper on the wall. You can drive screws through any part of this back stripping including the stripping that lines the inside of the top crown. For Island Mount Hoods: you will only screw through the crown stripping.

4. Drive screws with washers through the copper stripping into the wall (ceiling) and through the crown stripping into the top plate, ceiling trusses, and or floor joist above if applicable. Ideally you want at least two screws on each side, one top and one bottom, into wooden or metal studs. Molly screws can be used to tighten the hood to the wall only if screws can be placed into studs through the crown stripping.

For Island Hoods; try to have 2 screws per each length, a total of 8 screws driven through the crown stripping into the ceiling trusses or floor joists overhead. It is best to use 1x4 or 2x4 wooden strips with washers inside the crown flange. Drill through the wood, pinching the copper ceiling flange to the ceiling, while the screws drive through the wood, flange, and into the ceiling lumber.

5. Make sure the flex duct and wiring are hanging within the hood at this point. Your Flex may come through the top opening of the hood or the wall behind the hood, the same is true of the wiring.
6. Hold the vent, with the filters removed, in place just under the hood opening.
7. Attach the flex duct to the damper with ducting tape and wire nut all the wires together.
8. Push the vent into the hood aligning the vent liner with the interior frame of the copper hood as desired.
9. Use self tapping screws to drill through the inside of the liner into the copper frame of the hood. Make sure not to puncture the outside of the hood.
10. Once the vent is in place, put the baffle filters back in the vent system and the install is complete.



PERFORMANCE · QUALITY · CUSTOMER SERVICE

QUIET OPERATION

- Variable rotary blower control reduces blower and air movement sound level
- Sound absorbing duct silencers are available

EASE OF OPERATION

- Adjusting the CFM is easy with the variable control
- Bright, dimmable LED lights
- Slip resistant control knobs

DISTINCTIVE LOW-PROFILE DESIGN

- Low-profile allows for flexible design options
- Style complements ALL custom and manufactured wood hood designs
- Simplicity of design preferred by homeowners

EASY CLEANING

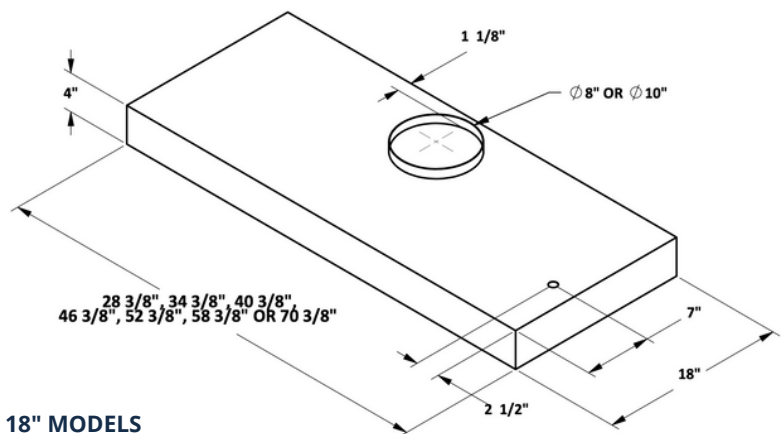
- Dishwasher-safe commercial-style baffle filters with 2 easy-grip handles
- Detergent inlet holes and grease exit holes in baffle filters for superior dishwasher cleaning

SIMPLE INSTALLATION

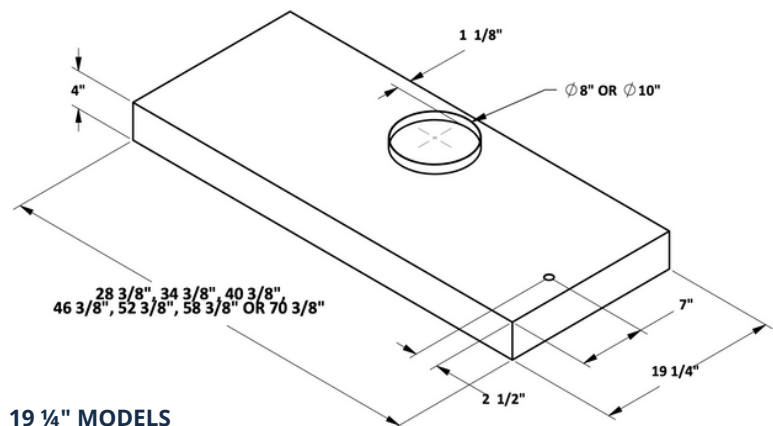
- Installs easily in standard size or custom-built wood range hoods
- Wiring diagram label for simple electrical connection
- Pre-wired for use with single-speed in-line or external blowers

ENDURING QUALITY

- Commercial grade stainless steel (#304 grade) and galvanized steel construction



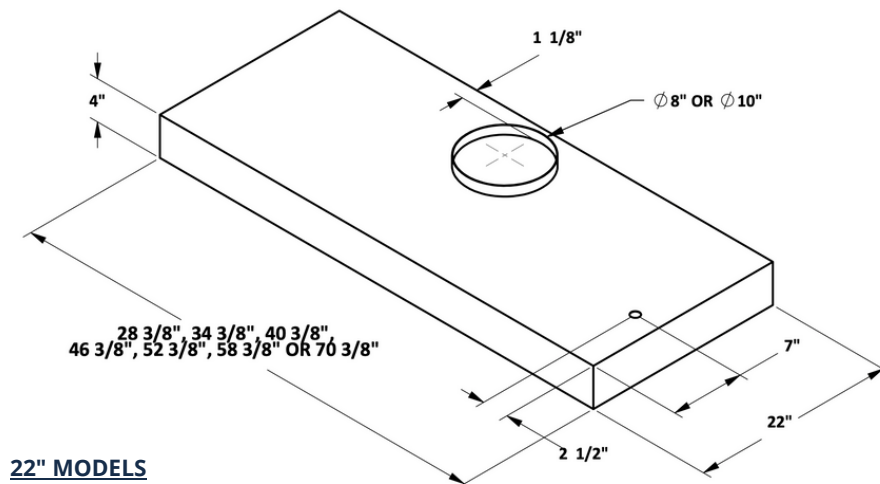
18" MODELS



19 1/4" MODELS



MODEL	FRONT TO BACK	WIDTH	COLOR	LED LIGHTS	S/S BAFFLE FILTERS	REMOTE CONTROL	DUCT COLLAR	VARIABLE ROTARY CONTROL
VSL430BF	18"	28 3/8"	S/S	2	✓	N/A	8"	✓
VSL436BF	18"	34 3/8"	S/S	2	✓	N/A	8"	✓
VSL436-0-19BF	19 1/4"	34 3/8"	S/S	2	✓	N/A	8"	✓
VSL436-0-22BF	22"	34 3/8"	S/S	2	✓	N/A	8"	✓
VSL442BF	18"	40 3/8"	S/S	2	✓	N/A	10"	✓
VSL442-0-19BF	19 1/4"	40 3/8"	S/S	2	✓	N/A	10"	✓
VSL442-0-22BF	22"	40 3/8"	S/S	2	✓	N/A	10"	✓
VSL448BF	18"	46 3/8"	S/S	3	✓	N/A	10"	✓
VSL448-0-19BF	19 1/4"	46 3/8"	S/S	3	✓	N/A	10"	✓
VSL448-0-22BF	22"	46 3/8"	S/S	3	✓	N/A	10"	✓
VSL454BF	18"	52 3/8"	S/S	3	✓	N/A	10"	✓
VSL454-0-19BF	19 1/4"	52 3/8"	S/S	3	✓	N/A	10"	✓
VSL454-0-22BF	22"	52 3/8"	S/S	3	✓	N/A	10"	✓
VSL460BF	18"	58 3/8"	S/S	3	✓	N/A	10"	✓
VSL460-0-19BF	19 1/4"	58 3/8"	S/S	3	✓	N/A	10"	✓
VSL460-0-22BF	22"	58 3/8"	S/S	3	✓	N/A	10"	✓
VSL472BF	18"	70 3/8"	S/S	4	✓	N/A	10"	✓
VSL472-0-19BF	19 1/4"	70 3/8"	S/S	4	✓	N/A	10"	✓
VSL472-0-22BF	22"	70 3/8"	S/S	4	✓	N/A	10"	✓



For more information, please contact your dealer or your TRADE-WIND® representative.

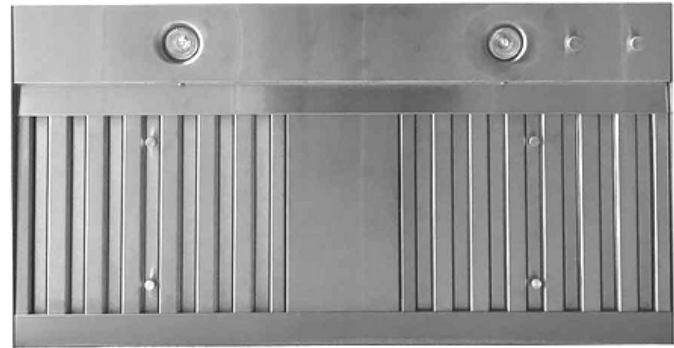


800 WEST GRANT STREET
PHOENIX, AZ 85007
1-800-955-5737
602-900-8500
T - W U S A . C O M



TRADE-WIND Manufacturing, LLC has a policy of continuous improvements and reserves the right to modify (at any time without notice) any or all of its products, features, designs, components and specifications. For further information on installation and wiring, see the installation instructions included with the product or visit us on the web.

MODEL	FRONT TO BACK	WIDTH	CFM
VSL430BF	18"	28 3/8"	x
VSL436BF	18"	34 3/8"	x
VSL436-0-19BF	19 1/4"	34 3/8"	x
VSL436-0-22BF	22"	34 3/8"	x
VSL442BF	18"	40 3/8"	x
VSL442-0-19BF	19 1/4"	40 3/8"	x
VSL442-0-22BF	22"	40 3/8"	x
VSL448BF	18"	46 3/8"	x
VSL448-0-19BF	19 1/4"	46 3/8"	x
VSL448-0-22BF	22"	46 3/8"	x
VSL454BF	18"	52 3/8"	x
VSL454-0-19BF	19 1/4"	52 3/8"	x
VSL454-0-22BF	22"	52 3/8"	x
VSL460BF	18"	58 3/8"	x
VSL460-0-19BF	19 1/4"	58 3/8"	x
VSL460-0-22BF	22"	58 3/8"	x
VSL472BF	18"	70 3/8"	x
VSL472-0-19BF	19 1/4"	70 3/8"	x
VSL472-0-22BF	22"	70 3/8"	x



These models connect to an In-Line, Roof or Wall-Mounted Remote Blower. The blower used determines the CFM. The Trade-Wind In-Line blowers are either 836 CFM or 1266 CFM.

Before beginning installation, please thoroughly read and become familiar with these instructions. Installation and service must be completed by a qualified installer. Failure to properly install this product may void the warranty.

Installer: Please leave Installation Instructions with the range hood liner.

Owner: Please keep Installation Instructions for local electrical inspector's use and for future reference.

⚠️ WARNINGS: Must be followed carefully to avoid personal injury.

>>> IMPORTANT: Must be followed carefully to avoid damage and incorrect installation.

💡 TIPS: Contains helpful information to facilitate installation.

READ AND SAVE THESE INSTRUCTIONS

⚠️ WARNING! TO REDUCE THE RISK OF FIRE, ELECTRICAL SHOCK, OR INJURY TO PERSONS OBSERVE THE FOLLOWING:

a) Use this unit only in the manner intended by the manufacturer. If you have any questions, please contact the manufacturer at the address or telephone number listed in the warranty.

b) Before servicing or cleaning unit, switch power off at service panel, lock service panel, and lock the service disconnection means to prevent power from being switched on accidentally. When the service disconnecting means cannot be locked, securely fasten a prominent warning device, such as a tag, to the service panel.

🚫 CAUTION: For general ventilating use only. Do not use to exhaust hazardous or explosive materials and vapors.

⚠️ WARNING! TO REDUCE THE RISK OF A RANGE TOP GREASE FIRE:

a) Never leave surface units unattended at high settings. Boilovers cause smoking and greasy spillovers that may ignite. Heat oils slowly on low or medium settings.

- b) Always turn hood ON when cooking at high heat or when flambeing food (i.e. Crepes Suzette, Cherries Jubilee, Peppercorn Beef Flambe’).
- c) Clean ventilating fans frequently. Grease should not be allowed to accumulate on fan or filter.
- d) Use proper pan size. Always use cookware appropriate for the size of the surface element.

⚠ WARNING! TO REDUCE THE RISK OF INJURY TO PERSONS IN THE EVENT OF A RANGE GREASE FIRE, OBSERVING THE FOLLOWING:

- a) SMOTHER FLAMES with a close-fitting lid, cookie sheet, or metal tray, then turn off the burner. BE CAREFUL TO PREVENT BURNS. If the flames do not go out immediately, EVACUATE AND CALL THE FIRE DEPARTMENT.
- b) NEVER PICK UP A FLAMING PAN—YOU MAY BE BURNED.
- c) DO NOT USE WATER, including wet dishcloths or towels. A violent steam explosion will result.
- d) Use an extinguisher ONLY if:
 - 1. You know you have a Class ABC extinguisher and you already know how to operate it.
 - 2. The fire is small and contained in the area where it started.
 - 3. The fire department is being called.
 - 4. You can fight the fire with your back to an exit.

💡 RECOMMENDATIONS:

- 1. Consult a licensed ventilation contractor or qualified technician for proper installation of exhaust ducting. Locate the cooking area for minimum cross drafts-away from doors and windows, when possible.
- 2. Ducts must be of adequate size and duct runs should be as short as possible. Where turns are necessary, keep turning radius as large and as smooth as possible.
- 3. The ducting must be air tight. Use a minimum of 2 sheet metal screws at every duct joint. Then, seal the duct joints with high quality duct tape.
- 4. Do not use this unit with any solid-state speed control device.
- 5. This unit must be grounded.

INSTALLATION INSTRUCTIONS

⚠ WARNING! TO REDUCE THE RISK OF FIRE, ELECTRICAL SHOCK, OR INJURY TO PERSONS OBSERVE THE FOLLOWING:

- a) Installation work and electrical wiring must be done by qualified person(s) in accordance with all applicable codes and standards, including fire-rated construction codes and standards.
- b) Sufficient air is needed for proper combustion and exhausting of gasses through the flue (chimney) of fuel burning equipment to prevent back drafting. Follow the heating equipment manufacturer's guidelines and safety standards such as those published by the National Fire Protection Association (NFPA) and the American Society for Heating, Refrigeration and Air Conditioning Engineers (ASHRAE) and the local code authorities.
- c) When cutting or drilling into wall or ceiling, do not damage electrical wiring and other hidden utilities.
- d) Ducted fans must always be vented to the outdoor.

⚠ WARNING! TO REDUCE THE RISK OF FIRE, USE ONLY METAL DUCTWORK.

- 🚫 CAUTION:** To reduce the risk of fire and to properly exhaust air, be sure to duct air outside. Do not vent exhaust air into spaces within walls, ceilings, cabinets or into attics, crawl spaces, or garages.
- 🚫 CAUTION:** To reduce the risk of fire and electric shock, install this (range hood liner) only with Remote Blower models rated maximum 6 amps.

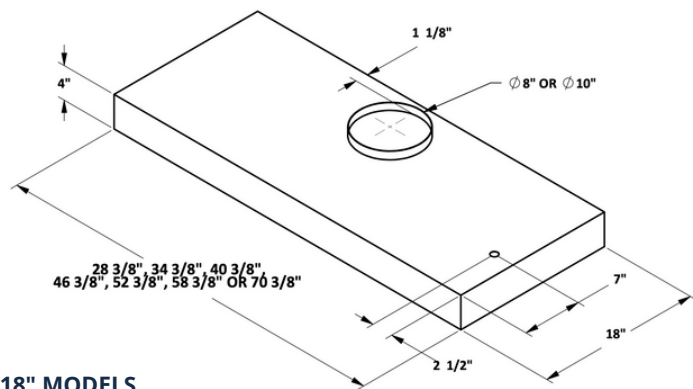
**TO ACCESS THE INSTALLATION INSTRUCTIONS FOR YOUR TRADE-WIND® PRODUCT,
PLEASE SCAN THE QR CODE:**



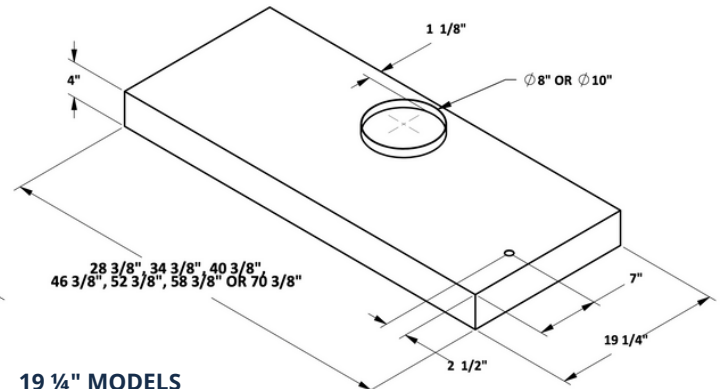
>>> IMPORTANT: CUT-OUT INFORMATION

Cabinets or hood cut-outs should be at least 1/8" larger than outside dimensions

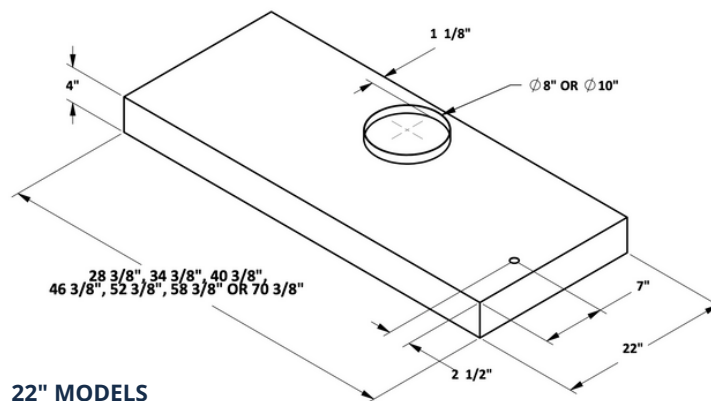
MODEL	FRONT TO BACK	WIDTH	COLOR	LED LIGHTS	S/S BAFFLE FILTERS	REMOTE CONTROL	DUCT COLLAR	VARIABLE ROTARY CONTROL
VSL430BF	18"	28 3/8"	S/S	2	✓	N/A	8"	✓
VSL436BF	18"	34 3/8"	S/S	2	✓	N/A	8"	✓
VSL436-0-19BF	19 1/4"	34 3/8"	S/S	2	✓	N/A	8"	✓
VSL436-0-22BF	22"	34 3/8"	S/S	2	✓	N/A	8"	✓
VSL442BF	18"	40 3/8"	S/S	2	✓	N/A	10"	✓
VSL442-0-19BF	19 1/4"	40 3/8"	S/S	2	✓	N/A	10"	✓
VSL442-0-22BF	22"	40 3/8"	S/S	2	✓	N/A	10"	✓
VSL448BF	18"	46 3/8"	S/S	3	✓	N/A	10"	✓
VSL448-0-19BF	19 1/4"	46 3/8"	S/S	3	✓	N/A	10"	✓
VSL448-0-22BF	22"	46 3/8"	S/S	3	✓	N/A	10"	✓
VSL454BF	18"	52 3/8"	S/S	3	✓	N/A	10"	✓
VSL454-0-19BF	19 1/4"	52 3/8"	S/S	3	✓	N/A	10"	✓
VSL454-0-22BF	22"	52 3/8"	S/S	3	✓	N/A	10"	✓
VSL460BF	18"	58 3/8"	S/S	3	✓	N/A	10"	✓
VSL460-0-19BF	19 1/4"	58 3/8"	S/S	3	✓	N/A	10"	✓
VSL460-0-22BF	22"	58 3/8"	S/S	3	✓	N/A	10"	✓
VSL472BF	18"	70 3/8"	S/S	4	✓	N/A	10"	✓
VSL472-0-19BF	19 1/4"	70 3/8"	S/S	4	✓	N/A	10"	✓
VSL472-0-22BF	22"	70 3/8"	S/S	4	✓	N/A	10"	✓



18" MODELS



19 1/4" MODELS



22" MODELS

PART 1: PLANNING THE INSTALLATION

TRADE-WIND® Designer Series Liners are designed for installation inside custom hood canopies. Proper installation of the liner is directly related to the material from which the custom canopy is constructed. A qualified person must complete the installation of this unit. Because of the large size and weight of this hood / liner, two installers are recommended. Plan the installation so that all minimum clearances are met or exceeded. Dimensions shown provide minimum clearances, unless otherwise specified.

Important: You must provide structural framing and tight backing in the areas in which you are securing the liner inside your custom canopy. Failure to do so could distort and damage the liner and void the warranty.


For best and quietest performance with In-Line Blower installations, the blower should be installed in the attic, near or slightly beyond the mid-point of the duct system. In installations requiring the blower be in a chase or wood-type hood over the range (e.g., no attic above the kitchen), the duct silencer will not be as effective in absorbing motor noise. In addition, there will likely be motor sound transmitted through the walls of the chase, bypassing the duct silencer.

Given the high performance of TRADE-WIND® In-Line Blowers, it is highly recommended that the blower NOT be attached directly to the liner or in a chase immediately above the liner unless a TRADE-WIND® brand duct silencer is installed between the blower and liner and neoprene lined FC Clamps are used. FC Clamps are available from TRADE-WIND® (Trade-Wind Manufacturing, Inc.) through your TRADE-WIND® supplier. Ask for model numbers FC6 (6"), FC8 (8") or FC10 (10"), 2 per box.

>>> IN-LINE & REMOTE VENTILATORS, DUCT SILENCERS, DAMPERS, AND DUCTING

TRADE-WIND® VSL Liners with non-internal motors are designed for use with "in-line" and "remote-mount" ventilators. When planning for installations using these products, please refer to the Installation Instructions provided with the ventilator. TRADE-WIND® Duct Silencers are available from your local TRADE-WIND® dealer. When planning for installation using a duct silencer, please refer to the Installation Instructions provided with the duct silencer.

Given that most installations are different, a back-draft damper is not provided with this unit. TRADE-WIND® back draft dampers are also available from your local TRADE-WIND® dealer. Always install ventilation products with an approved wall or roof cap. Duct performance is improved by using round, smooth metal duct work instead of rectangular. Do not rely on duct tape alone to seal duct joints. Use sheet metal screws as required to support the duct.

 **WARNING:** For maximum ventilation performance, the bottom of the hood or liner should be 30 - 36 inches (76.2 - 91.4 cm) above the cooking surface (minimum is 24"). This would typically result in the bottom of the hood being 66 - 72 inches (167.6 - 182.9 cm) above the floor. These dimensions provide for safe and efficient operation of the hood. **Always observe local building codes.**

PART 2: SECURING THE LINER

>>> TILE BACKSPLASHES

IMPORTANT: Liners installed immediately above the top edge of tile backsplashes thicker than 3/4" should be installed slightly forward—not flush with the back wall. The back filter bracket of the liner is 1" deep and tile installations thicker than this will prevent the filters from being removable.

>>> MOUNTING HOLES

NOTE: DRILLING THROUGH STAINLESS STEEL REQUIRES A TITANIUM BIT. BE CAREFUL NOT TO DRILL THROUGH FILTER BRACKETS, ELECTRICAL COMPONENTS OR UL LABEL. Because the TRADE-WIND® Standard Series Liner was designed for various wood hood applications, no mounting holes have been pre-drilled. This allows the liner to be attached in most any area of the canopy that has a wood frame support, e.g., the back, sides or top. We recommend at least six equally spaced screws per liner—three screws along the back (top or back side panel) and three screws on the front top, immediately next to the light bar wall or behind the removable light bar. Where possible, the screw holes should be drilled into the top of the liner (instead of the sides or back). This will help prevent distorting the liner walls in situations where the wood frame is not properly sized to the liner. **Models with internal motors should also have at least one screw centered and securely in place on each end (side panel) of the liner because of the added weight.**

Neatly measure and mark (left to right and top to bottom) and drill screw holes through the liner as required to match the wood backing. It is easier to drill holes from the outside in, by setting the liner on its face (on cardboard) and drilling from the back side. Secure the liner by driving screws (by others) tightly into the wood frame. Use washers where necessary.

*When removing the filters, be careful not to scratch the liner by placing the filters, screws, drill bits or drill on the liner's face. **For visual instructions on removing the filters for mounting and other liner questions, check out our YouTube Channel: https://www.youtube.com/channel/UCwVlbi_9hbulATTYvz43oBA.**

➤➤➤ CONNECTING TO THE VENT PIPE

The VSL liner comes with a metal start collar welded in place. Attach the Start Collar to the duct with at least three equally spaced screws. Also apply duct tape, preferably the metal type.

PART 3: ELECTRICAL CONNECTION

➤➤➤ IMPORTANT: COPY THIS PAGE TO YOUR ELECTRICAL INSTALLER.


WARNING:

Ensure that the power supply is disconnected before proceeding. Verify that the power supply matches the ratings found on the appliance data label before proceeding. The complete appliance must be properly grounded at all times when electrical power is applied. Do not ground the appliance with the neutral (white) house supply wire. A separate ground wire must be utilized. Failure to complete electrical connections properly may result in damaged or non-functional systems. Follow instructions carefully to ensure proper installation.

It is the owner's responsibility to ensure that a qualified person performs the electrical connection of this appliance. The electrical installation, including minimum supply wire size, must comply with the National Electric Code ANSI/NFPA 70-1990 (or latest revision) and local codes and ordinances. A copy of this standard may be obtained from:

National Fire Protection Association, 1 Batterymarch Park, Quincy, Massachusetts 02269-9101

INSTRUCTIONS: A 15 to 20 amp electrical service is recommended for proper electrical supply. Before determining, calculate amp ratings based on the product label found on the liner and the ventilator. Always observe local building codes. Always use a dedicated circuit. Line load is calculated by adding the amperage of the halogen lights to the rated amperage of the ventilator (either in-line or roof top). If the ventilator is rated in watts rather than amps, divide the watts by 120 and this will give you the amperage rating. The TRADE-WIND® liner, without the internal motor, is supplied with a 6.0 amp variable speed fan control. Make sure the rated amperage on the remote ventilator does not exceed 6.0 amps (or 700 watts).

 **CAUTION:** The neutral wire (usually white) for the blower/motor must connect to the same neutral wire that comes from the electrical panel to the liner. It is recommended to run a white neutral wire from the liner's white neutral wire along the same path as the red wire from the liner's variable speed control to the blower/motor.

VARIABLE-SPEED CONTROL WIRING DETAILS (FOR REMOTE/IN-LINE BLOWERS)

BLACK 120 VOLT AC FROM ELECTRICAL PANEL (USUALLY BLACK) TO LINER

WHITE NEUTRAL FROM ELECTRICAL PANEL (USUALLY WHITE) TO LINER

GREEN GROUND FROM ELECTRICAL PANEL (USUALLY GREEN) TO LINER

RED 120 VOLT AC VARIABLE CONTROL FROM LINER TO 120 VOLT AC VARIABLE SPEED VENTILATOR

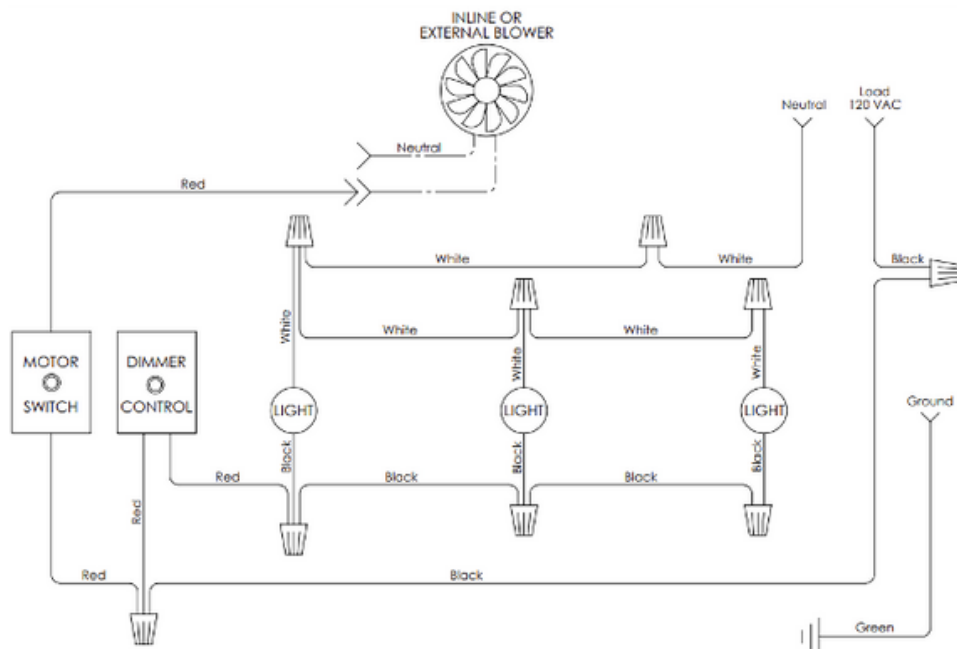
CAUTION: DO NOT CONNECT THIS WIRE TO A 3-SPEED BLOWER.

➤➤➤ **IMPORTANT:** Trade-Wind Manufacturing does not pay warranty claims for damage to liners or components connected to other brand blowers inconsistent with these Installation Instructions. Always consult the switch manufacturer's installation instructions when substituting control switches. The warranty may be voided if any unauthorized service, alterations or repairs are made to the product.

WIRING DIAGRAM


➤➤➤ **IMPORTANT: COPY THIS PAGE TO YOUR ELECTRICAL INSTALLER.**


DIAGRAM: CONNECTION TO VARIABLE SPEED BLOWER




PART 4: USE AND CARE

 **CAUTION:** The edges of the stainless steel are extremely sharp. To ensure safety, wear gloves when handling all parts.

 **WARNING:** Do not operate the blower/ventilator system without the filters in place, or with dirty, grease laden filters.

 **FILTER REMOVAL:**
Each filter has two aluminum cylindrical knobs, one towards the rear and one towards the front. The front & rear knobs are only for grasping and are permanently connected to the filter. To remove the filter, grasp the front & rear knobs, pull the filter towards the front of the hood until the back of the filter drops down. Grasping the filter, remove it from the front by now pulling it out of the front channel. **For visual instructions on how to remove the filters, visit our YouTube Channel: https://www.youtube.com/channel/UCwVlbi_9hbulATTYvz43oBA.**

 **OPERATING CONTROLS:**
Always activate the ventilator when using cooking appliances. For best performance, turn on the blower a few minutes before starting to cook to establish an airflow pattern within the room. To use the electronic touch control, touch the button that corresponds to the desired speed. To turn off blower, touch the illuminated speed button again. The electronic light control comes on when touched, touch again for light off.



ENERGY SAVING TIPS:

Eliminate air currents in the liner vicinity by shutting nearby windows and doors, turning off ceiling fans and adjusting the adjacent heating and air conditioning outlets if necessary. Place your largest pans on the rear burners whenever possible. Clean filters and grease laden surfaces often to improve efficiency. Always use lids on cookware to retain heat and moisture. Minimize the amount of liquid used to cook food. Select cookware of proper size, material and construction for the cooking task being performed.



CARE AND CLEANING:

Proper cleaning is necessary to maintain performance and appearance, while also ensuring safe operation. The frequency of cleaning should be according to the type and amount of cooking. Best results will be achieved by cleaning soiled components as soon as possible. Filters must be cleaned regularly.

We recommend washing filters by placing them in the bottom rack of a dishwasher. Locate the holes on the sides of the filter. Put filter in dishwasher with holes facing up, so detergent can enter filters. Dry the filters completely before using again. Rinse and dry with a soft lint-free cloth. Always wipe stainless steel surfaces with the grain. Never wipe across the grain. After cleaning, reinstall the filters carefully. **Most common scrubber type pads will scratch the hood.**



CAUTION: If a commercially available stainless steel cleaner is used, it is important to read the labels for chlorine compounds. Chlorine is a corrosive substance, DO NOT USE. Follow polish manufacturer's instructions.



LED LIGHT BULBS:

TRADE-WIND® liners are designed for MR16/GU10 LED light bulbs. They can be purchased at most home or grocery stores. The bulbs provided with the unit are 3.5 watt, 350 lumens, and 3000K (warm white color temperature). **To remove the light bulbs, press your palm into the lens face of the bulb and turn a ¼ turn to the left. The bulb should unlock from its socket, and pop out. If you need to get more leverage on the bulb, you can purchase a suction cup with a ring on it at your local hardware store.**

PERFORMANCE · QUALITY · CUSTOMER SERVICE

TRADE-WIND® VENTILATION PRODUCTS

What IS Covered:

TRADE-WIND Manufacturing, LLC® warrants its TRADE-WIND® Ventilation Products to the original user to be free of defects in materials and workmanship for three (3) years from the date of purchase.

TRADE-WIND Manufacturing, LLC®, at its option, will repair or replace the complete unit or any defective component without charge. This warranty may be voided if any unauthorized service, alterations, or repairs are made to the product.

What is NOT Covered:

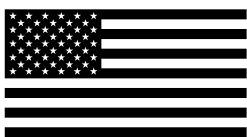
- Normal maintenance and service of any product that has been subject to misuse, negligence, accident, or installation inconsistent with the recommended TRADE-WIND® Installation Instructions and TRADE-WIND® Best Practices Guidelines.
- Product used other than for normal in-home use or products used outside of the United States and Canada.
- Damage to the product caused by accident, fire, flood, or other acts of God.
- Service calls to educate the customer in the proper use and care of the product, change fuses, or to reset the circuit breakers.
- Service calls to correct faulty installation, such as performance issues relating to improperly sized ducting or restrictive roof caps, are not covered and will, by default, be charged back to the Homeowner.
- Light bulbs are not covered under warranty.

TRADE-WIND Manufacturing, LLC® disclaims and excludes any liability for implied warranties or for incidental or consequential damages wherever permitted by law. There are no implied warranties of merchantability or fitness for a particular use or purpose. This warranty gives you specific legal rights, and you may also have other rights, which vary from state to state.

For Service: If you need service on your TRADE-WIND® Ventilation Product, visit our website at: www.t-wusa.com and click on the warranty tab. Fill out the simple form providing the model number, serial number, date of purchase, and brief description of the problem. Proof of purchase will also be required.

WARRANTY REVISED: JANUARY 1, 2023

For more information, please contact your dealer or your TRADE-WIND® representative.



MADE IN PHOENIX, AZ USA

800 WEST GRANT STREET
PHOENIX, AZ 85007
1-800-955-5737
602-900-8500
T - W U S A . C O M



TRADE-WIND Manufacturing, LLC® has a policy of continuous improvements and reserves the right to modify (at any time without notice) any or all of its products, features, designs, components and specifications. For further information on installation and wiring, see the installation instructions included with the product or visit us on the web.

ADDENDUM TO INSTALLATION INSTRUCTIONS

➤➤➤ **IMPORTANT:** Problems caused by the improper installations are not covered by the manufacturer's warranty.

➤➤➤ **IMPORTANT:** Undersized and improperly installed duct pipe and/or other ventilation components will cause excessive static pressure (air resistance), that may result in rattling, vibration and air buffeting noises, as well as inadequate ventilation.

1. BUILDING CODES

Kitchen hood/liners should be installed by qualified technicians familiar with state and local building codes.

2. DUCT PIPE & FITTINGS (ELBOWS, TRANSITIONS, ROOF & WALL CAPS)

a.) Use round or rectangular rigid metal duct only. Where possible, use round duct as it creates the least amount of static pressure. **IT IS RECOMMENDED THAT YOU DO NOT USE FLEX DUCT**

b.) All duct sections and fittings, should overlap and be connected with at least 3 – 4 equally spaced screws and wrapped tightly with 2 – 3 layers of Aluminum Foil Metal Duct Tape. This type of duct tape is more durable than traditional cloth duct tape. **DO NOT USE BUTT JOINTS.**

c.) For best air flow, elbows and pipe size transition fittings should not be directly connected to one another. Where possible, always include at least 15 inches of straight pipe between fittings.

3. DUCT PIPE & FITTING SIZES (See Duct Sizing Chart and Area Calculations section on page 3 for more details)

➤➤➤ **IMPORTANT:** The required duct size is indicated by the size of the duct collar on the hood or liner.

➤➤➤ **IMPORTANT:** No portion of any length of duct pipe or fitting should be smaller than the duct collar of the hood/liner. This is very important because any type of restriction anywhere in the ventilation system will cause increased static pressure (air resistance), that may result in rattling, vibration and air buffeting noises, as well as inadequate ventilation.

DUCT RUNS - LENGTH

a.) Configure the ventilation duct run to be as short and as direct to the outside as possible. Minimize the number of elbows and transition fittings used. Complex or long runs should be reviewed by a qualified installer.

b.) No portion of the ducting should be run so that the exhaust air flows **downward**. Since exhaust heat rises, forcing the air to flow downward will cause increased static pressure. As previously mentioned, **improperly installed duct pipe will cause excessive static pressure (air resistance), that may result in rattling, vibration and air buffeting noises, as well as inadequate ventilation.**

c.) Duct runs for 390 CFM hood/liner models should not exceed 20 linear feet with two 90-degree elbows (or four 45-degree elbows), a damper and a roof or wall cap. Longer runs or additional elbows will result in decreased ventilation performance. Each 90-degree elbow is the equivalent of 8 linear feet of duct pipe; each 45-degree elbow is equivalent to 4 linear feet of duct pipe.

d.) Duct runs for 600 – 1200 CFM hood/liner models should not exceed 35 linear feet with two 90-degree elbows and two 45-degree elbows, a damper and a roof or wall cap. Longer runs or additional elbows will result in decreased ventilation performance. Each 90-degree elbow is the equivalent of 6 linear feet of duct pipe; each 45-degree elbow is equivalent to 3 linear feet of duct pipe.

e.) Always run hood/liner ducts to the outdoors. DO NOT terminate a duct into an attic, basement, garage, crawl space under a house, a chimney, other ducting or an enclosed room.

4. DAMPERS

>>> **IMPORTANT: DO NOT USE SCREWS TO ATTACH ANY TYPE OF DAMPER AS THE SCREWS MAY BLOCK THE DAMPER BLADES.**

>>> **IMPORTANT: DO NOT USE MORE THAN ONE DAMPER IN THE VENTILATION SYSTEM.**

NOTE: Many styles of roof caps and wall caps have built-in dampers. See Roof Caps and Wall Caps section for more detail. Always use carefully crafted, tightly wrapped Aluminum Foil Metal Duct Tape on all connections and physically view and test the damper blades to make certain they are opening and closing correctly. Make sure that the damper blades do not touch the duct walls and that there is no debris blocking the free movement of the damper mechanism. Common things to look for include screws protruding into the blade's path, overspray of paint, plaster and insulation. If using rectangular duct, be sure that all four sides of the duct are on the outside of the damper's duct collar or frame. On hood/liner installations designed to recirculate the exhaust air back into the kitchen, be sure to remove the aluminum damper blade before attaching the duct to the damper frame.

a.) 390 CFM Models

390 CFM models have either a 3.25" x 10" rectangular metal damper attached directly to the hood/liner or a 7" duct collar that requires a 7" damper (sold separately).

b.) 600 – 1200 CFM Models

600-1200 CFM models have either an 8" or 10" round duct collar that requires use of a damper with the corresponding dimension (sold separately).

Damper in Roof Cap or Wall Cap: In ventilation systems utilizing a roof cap or wall cap **with** a built-in damper, do not install an additional in-line damper. **Two dampers are unnecessary and will cause increased static pressure (air resistance), that may result in rattling, vibration and air buffeting noises, as well as inadequate ventilation.**

In-line Damper: In cold weather areas, installing an "in-line" damper may be the preferred type of installation. This is because in-line dampers installed just above the perimeter of the heated space (the ceiling) will reduce the amount of cold air traveling down the duct into the heated space and into the kitchen through the hood/liner. In-line dampers must be installed so that the exhaust air-flow will open the butterfly blades.

Horizontal duct runs: The in-line damper must be installed so that the hinge between the two butterfly blades is **vertical**—the hinge pin must point up and down. Otherwise, because of gravity, the damper's blades will not close and the damper will not prevent backdrafts.

Vertical duct runs: The in-line damper's hinge will be **horizontal** (sideways), which is correct for vertical duct runs. Gravity will help close the damper blades after each use.

Upward slanted duct runs: The in-line damper's hinge must point to the top and bottom sides of the duct. In this position, gravity will help close the damper blades after each use. Otherwise, because of gravity, the damper's blades will not close and the damper will not prevent backdrafts.

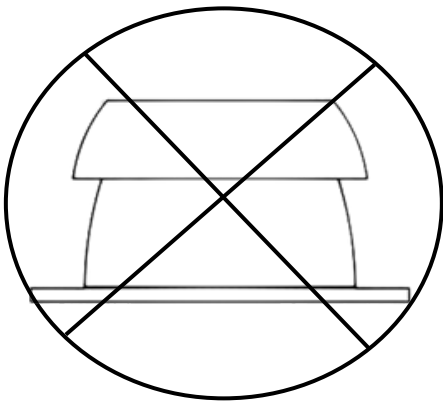
5. ROOF CAPS & WALL CAPS

The roof cap or wall cap is the termination point of the venting system that allows the exhaust air to exit to the outdoors. All sections of this fitting must have an equal or greater air path area than the hood/liner's duct collar. If any section of the roof cap or wall cap is smaller than the hood/liner's duct collar, the entire ventilation system will lose performance and the restriction will cause increased static pressure.

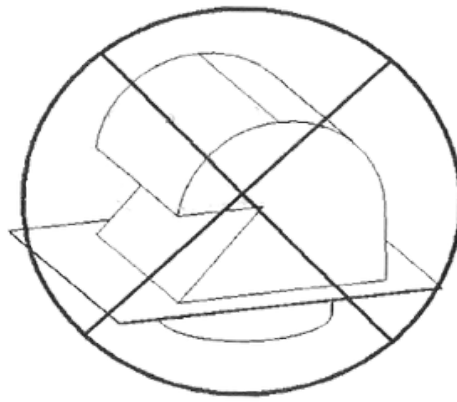
>>> IMPORTANT: Even though the intake side of the roof cap or wall cap may be properly sized, roof caps or wall caps with built-in dampers must be made so that when the damper is fully open, the actual open area of the exit point is equal to or greater than the duct collar of the hood/liner. Any undersized portion of a roof cap or wall cap will cause excessive static pressure that may result in rattling, vibration and air buffeting noises, as well as inadequate ventilation.

ROOF CAPS AND WALL CAPS MUST HAVE AN INTEGRAL BIRD SCREEN.

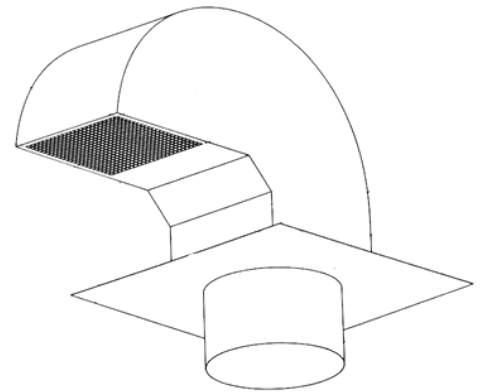
ROOF CAP DRAWING: RECOMMENDED & NOT RECOMMENDED



No Mushroom Cap Style



No "Goose-Neck" Style



Only use a shape that looks like the picture shown. Call TRADE-WIND® Customer Service for any questions.

6. ATTACHING DUCT TO HOUSE FRAMEWORK

The ventilation system should be attached to the framework in such a manner that the weight of the duct and fittings is supported with no stress on the duct joints, fittings or on the hood/liner. All ducting should be attached so as to avoid any possible duct vibration from being transferred to the house's framework.

7. DUCT SIZING CHART & AREA CALCULATION

DUCT COLLAR TYPES & SIZES	DUCT TYPE REQUIRED	DUCT SIZE (IN SQ. IN.)	MINIMUM ROOFCAP OR WALLCAP OPENING SIZE
6" DIAMETER, ROUND	6" ROUND METAL DUCT	28.3"	28.3"
7" DIAMETER, ROUND	7" ROUND METAL DUCT	38.5"	38.5"
8" DIAMETER, ROUND	8" ROUND METAL DUCT	50.25"	50.25"
10" DIAMETER, ROUND	10" ROUND METAL DUCT	78.5"	78.5"
3.25" x 10" RECTANGULAR	3.25" x 10" RECTANGULAR METAL DUCT	32.5"	32.5"

ROUND DUCT

$$\text{RADIUS} \times \text{RADIUS} \times \text{RADIUS} = \text{AREA (SQ. IN.)}$$

$$\underline{\quad} \times \underline{\quad} \times \underline{\quad} = \underline{\quad}$$

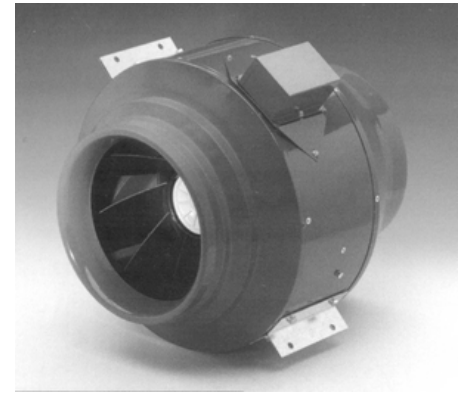
RECTANGULAR DUCT OR WALL/ROOF CAP

$$\text{WIDTH} \times \text{DEPTH} = \text{AREA (SQ. IN.)}$$

$$\underline{\quad} \times \underline{\quad} = \underline{\quad}$$

The "radius" is one-half the diameter of a round duct, e. g. , 1/2 of a 10" round duct is 5". 3.1416 is "Pi", the "constant" used when calculating the area of a circle.

MODEL	AMPS	CFM
PSX006XL	1.26	392
PSD008XL	2.99	836
PSD010XL	4.84	1266



READ AND SAVE THESE INSTRUCTIONS

Before beginning installation, please thoroughly read and become familiar with these instructions. Installation and service must be completed by a qualified installer. Failure to properly install this product may void the warranty.

Installer: Please leave Installation Instructions with the product installation instructions.

Owner: Please keep Installation Instructions for local electrical inspector's use and for future reference.

⚠️ WARNINGS: Must be followed carefully to avoid personal injury.

➤➤➤ IMPORTANT: Must be followed carefully to avoid damage and incorrect installation.

💡 TIPS: Contains helpful information to facilitate installation.

⚠️ WARNING! TO REDUCE THE RISK OF FIRE, ELECTRICAL SHOCK, OR INJURY TO PERSONS OBSERVE THE FOLLOWING:

a) Use this unit only in the manner intended by the manufacturer. If you have any questions, please contact the manufacturer at the address or telephone number listed in the warranty.

b) Before servicing or cleaning unit, switch power off at service panel, lock service panel, and lock the service disconnection means to prevent power from being switched on accidentally. When the service disconnecting means cannot be locked, securely fasten a prominent warning device, such as a tag, to the service panel.

c) Installation work and electrical wiring must be done by qualified person(s) in accordance with all applicable codes and standards, including fire-rated construction.

🚫 CAUTION: For general ventilating use only. Do not use to exhaust hazardous or explosive materials and vapors.

🚫 CAUTION: This unit has an unguarded impeller. Do not use in locations readily accessible to people or animals. **WEAR HAND PROTECTION AND STAY CLEAR OF SHARP EDGES.** The compactness and adaptability of the model PSD blower permits easy installation. The units are shipped fully assembled and can be mounted at any angle. Because this unit has rotating parts, safety precautions should be exercised during all phases of installation, operation and maintenance. Remove unit from package and inspect before installation. If damaged, report damage to carrier. DO NOT operate this unit with visible damage to the blower or impeller assembly. Screen guards must be installed when blower will be within reach of personnel, within (7) feet of the working area, or when advisable for safety.

⚠ WARNING! DO NOT CONNECT POWER SUPPLY until blower is completely installed. Make sure electrical service to the blower is locked in "OFF" position.

- a) Check voltage at blower to see if it corresponds to the motor name plate. Installation work and electrical wiring must be done by qualified person(s) in accordance with all applicable codes and standards, including fire-rated construction.
- b) Sufficient air is needed for proper combustion and exhausting of gasses through the flue (chimney) of fuel burning equipment, (e.g., gas water heater, gas furnace) to prevent back drafting.
- c) Follow the heating equipment manufacturer's guideline and safety standards such as those published by the National Fire Protection Association (NFPA) and the American Society for Heating, Refrigeration and Air Conditioning Engineers (ASHRAE) and the local code authorities.
- d) When cutting or drilling into wall or ceiling, do not damage electrical wiring and other hidden utilities. Ducted blowers must always be vented to the outdoors.
- e) If this unit is to be installed over a tub or shower, it must be marked as appropriate for the application and be connected to a GFCI (Ground Fault Circuit Interrupter) –protected branch circuit.
- f) NEVER place a switch where it can be reached from a tub or shower.
- g) All units are suitable for use with solid-state speed control.

⚠ WARNING! TO REDUCE THE RISK OF FIRE, ELECTRICAL SHOCK, OR INJURY TO PERSONS OBSERVE THE FOLLOWING:

- a) Installation work and electrical wiring must be done by qualified person(s) in accordance with all applicable codes and standards, including fire-rated construction codes and standards.
- b) Sufficient air is needed for proper combustion and exhausting of gasses through the flue (chimney) of fuel burning equipment to prevent back drafting. Follow the heating equipment manufacturer's guidelines and safety standards such as those published by the National Fire Protection Association (NFPA) and the American Society for Heating, Refrigeration and Air Conditioning Engineers (ASHRAE) and the local code authorities.
- c) When cutting or drilling into wall or ceiling, do not damage electrical wiring and other hidden utilities.
- d) Ducted fans must always be vented to the outdoor.

PART 1: PLANNING THE INSTALLATION

For best and quietest performance, the In-Line Blower should be installed in the attic, near or slightly beyond the mid-point of the duct system. In installations requiring the blower be in a chase or wood-type hood over the range (e.g., no attic above the kitchen), the duct silencer will not be as effective in absorbing motor noise. In addition, there will likely be motor sound transmitted through the walls of the chase, bypassing the duct silencer. **Given the high performance of Trade-Wind® In-Line Blowers, it is highly recommended that the blower NOT be attached directly to the liner or in a chase immediately above the liner unless a Trade-Wind® brand duct silencer is installed between the blower and liner and neoprene lined FC Clamps* are used.**

Trade-Wind® brand Professional Series ventilation systems can be installed in an infinite variety of configurations. The In-Line Blower and Duct Silencer can be installed at any angle.

💡 CONNECTING THE BLOWER/VENTILATOR:

After properly aligning and supporting the blower, connect it to the duct. Fasten in place by using sheet metal screws and tape or preferably FC Clamps*. Fast Clamps (FC Clamps) are the recommended connectors for connecting the blower to the duct system. FC Clamps are easy to connect and work extremely well as a vibration absorber and noise suppressor. They are made of steel and are lined with a 0.3" neoprene pad. If FC Clamps are used to connect the blower to the duct, it is not as necessary to use them on the Duct Silencer for vibration suppression. FC Clamps are available from Trade-Wind® through your Trade-Wind® supplier.

CAUTION: DO NOT hang PSD model blowers/ventilators from the FC Clamp's hanging tabs. Instead, use the integral brackets bolted to the blower housing.

Hanger-type vibration isolators and suspension hardware (e.g., threaded rod, slotted angle iron, hurricane strap) are not supplied with blower. If the blower is suspended with these items, they will absorb much of the motor's minor vibration.

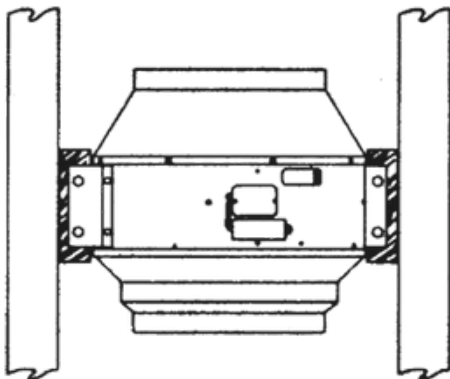
For more information about vibration absorbers, visit the following internet sites:

www.grainger.com (e.g., for WW Grainger Item 4C879)
www.vibration-absorbers.com

*FC Clamps are available from Trade-Wind® (Trade-Wind Manufacturing, LLC) through your Trade-Wind® supplier. Ask for model numbers FC6 (6"), FC8 (8") or FC10 (10"), 2 per box.

PART 2: SECURING THE BLOWER/VENTILATOR

MOUNTING ILLUSTRATION OPTION 1

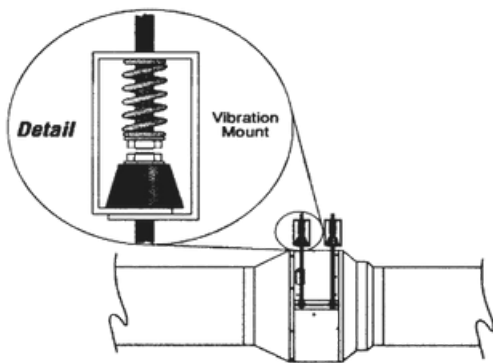


Follow all applicable codes when installing this unit.

- Build and install wood supports to framing structure for blower mounting.
- Attach blower directly to wood supports.

The In-Line Blower's mounting brackets are designed for flexible and easy installation at any angle—horizontal, vertical or diagonal. The brackets should be bolted directly to a 2" x 4" type wood framing structure (e.g., an attic truss) or suspended by threaded rod, slotted angle-iron or hurricane strap. The installation should be sufficient to support the blower's weight.

MOUNTING ILLUSTRATION OPTION 2



Follow all applicable codes when installing this unit.

- Equipment should be hung in position with temporary fixtures that can be removed after vibration hangers* are installed.
- Optional vibration hanger* may be fastened directly to the structure or somewhere between the suspended unit. Be sure not to over tighten the neoprene element. Install hangers.
- If threaded rod is used, turn nuts on rod assembly clockwise one complete turn on each hanger. Repeat this procedure until temporary hanging fixtures are loose and blower is suspended completely on the vibration hangers.
- Remove temporary fixtures and level ducting and blower by taking additional turns on the spring / top hanger rod nut as required.

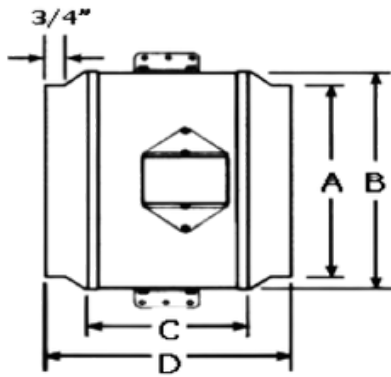
IMPORTANT: Hanger-type vibration isolators and suspension hardware (e.g., threaded rod, slotted angle iron, hurricane strap) are not supplied with blower. If the blower is suspended with these items, they will absorb much of the motor's minor vibration.

For more information about vibration absorbers, visit the following internet sites:

www.grainger.com (e.g., for WW Grainger Item 4C879)
www.vibration-absorbers.com

PART 3: ELECTRICAL CONNECTION

DIMENSIONS



DIMENSIONS DATA & AMPERAGE

MODEL	A	B	C	D	AMPS
PSX006XL	6"	13 1/4"	6 1/2"	8 1/4"	1.26
PSD008XL	8"	12 1/2"	7"	15 1/2"	2.99
PSD010XL	10"	14"	8"	15"	4.84

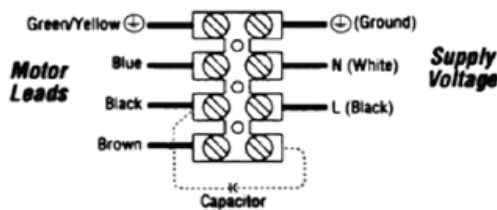
*Above specifications apply to picture on left

WARNING:

- Ensure the power supply is disconnected before proceeding.
- Verify that the power supply matches the ratings found on the blower data label before proceeding.
- The complete blower unit must be properly grounded at all times when electrical power is applied.
- Do not ground the appliance with the neutral (white) house supply wire. A separate ground wire must be utilized.

Failure to complete electrical connections properly may result in damaged or non-functional systems. Follow instructions carefully to ensure proper installation.

115 Volt Single Phase Fans

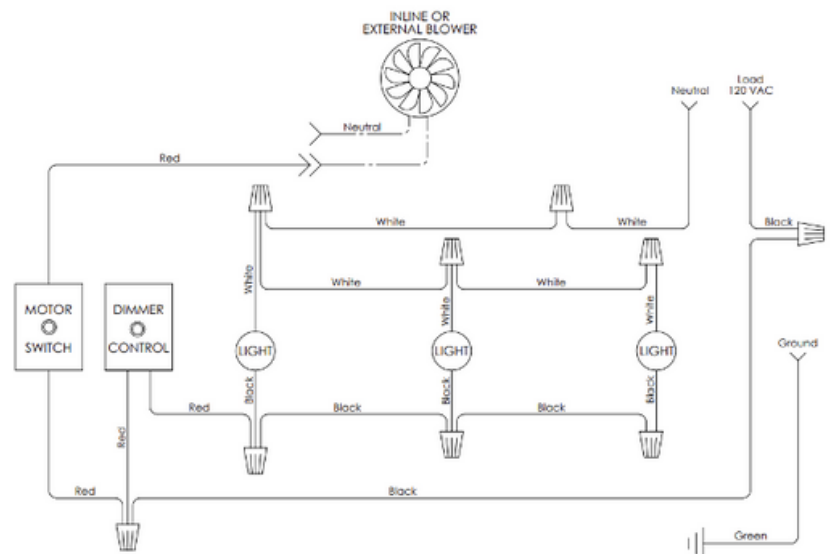


VARIABLE-SPEED CONTROL WIRING DETAILS (FOR REMOTE/IN-LINE BLOWERS)

- BLACK** 120 VOLT AC FROM ELECTRICAL PANEL (USUALLY BLACK) TO LINER
- WHITE** NEUTRAL FROM ELECTRICAL PANEL (USUALLY WHITE) TO LINER
- GREEN** GROUND FROM ELECTRICAL PANEL (USUALLY GREEN) TO LINER
- RED** 120 VOLT AC VARIABLE CONTROL FROM LINER TO 120 VOLT AC VARIABLE SPEED VENTILATOR
CAUTION: DO NOT CONNECT THIS WIRE TO A 3-SPEED BLOWER.

It is the owner's responsibility to ensure that a qualified person performs the electrical connection of this appliance. The electrical installation, including minimum supply wire size, must comply with the National Electric Code ANSI/NFPA 70-1990 (or latest revision) and local codes and ordinances. A copy of this standard may be obtained from:

National Fire Protection Assoc.
1 Batterymarch Park
Quincy, MA 02269



PERFORMANCE · QUALITY · CUSTOMER SERVICE

TRADE-WIND® VENTILATION PRODUCTS

What IS Covered:

TRADE-WIND Manufacturing, LLC® warrants its TRADE-WIND® Ventilation Products to the original user to be free of defects in materials and workmanship for three (3) years from the date of purchase.

TRADE-WIND Manufacturing, LLC®, at its option, will repair or replace the complete unit or any defective component without charge. This warranty may be voided if any unauthorized service, alterations, or repairs are made to the product.

What is NOT Covered:

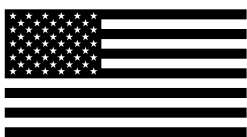
- Normal maintenance and service of any product that has been subject to misuse, negligence, accident, or installation inconsistent with the recommended TRADE-WIND® Installation Instructions and TRADE-WIND® Best Practices Guidelines.
- Product used other than for normal in-home use or products used outside of the United States and Canada.
- Damage to the product caused by accident, fire, flood, or other acts of God.
- Service calls to educate the customer in the proper use and care of the product, change fuses, or to reset the circuit breakers.
- Service calls to correct faulty installation, such as performance issues relating to improperly sized ducting or restrictive roof caps, are not covered and will, by default, be charged back to the Homeowner.
- Light bulbs are not covered under warranty.

TRADE-WIND Manufacturing, LLC® disclaims and excludes any liability for implied warranties or for incidental or consequential damages wherever permitted by law. There are no implied warranties of merchantability or fitness for a particular use or purpose. This warranty gives you specific legal rights, and you may also have other rights, which vary from state to state.

For Service: If you need service on your TRADE-WIND® Ventilation Product, visit our website at: www.t-wusa.com and click on the warranty tab. Fill out the simple form providing the model number, serial number, date of purchase, and brief description of the problem. Proof of purchase will also be required.

WARRANTY REVISED: JANUARY 1, 2023

For more information, please contact your dealer or your TRADE-WIND® representative.



MADE IN PHOENIX, AZ USA

800 WEST GRANT STREET
PHOENIX, AZ 85007
1-800-955-5737
602-900-8500
T - W U S A . C O M

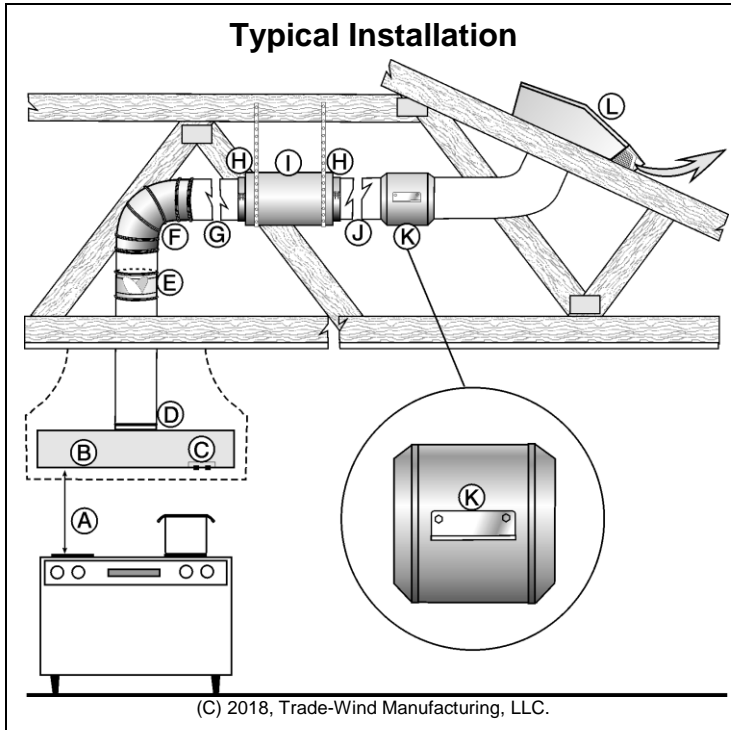


TRADE-WIND Manufacturing, LLC® has a policy of continuous improvements and reserves the right to modify (at any time without notice) any or all of its products, features, designs, components and specifications. For further information on installation and wiring, see the installation instructions included with the product or visit us on the web.

TRADE-WIND

Typical Installation & Parts Selection List

For Trade-Wind® VSL Series Liners *Connected to In-Line or Remote Blowers**



(C) 2018, Trade-Wind Manufacturing, LLC.

Installation Considerations

The following installation considerations pertain only to Trade-Wind® liners connected to in-line or remote (roof top or wall mounted) blowers. For exact details, see the Installation Instructions included with each product. Trade-Wind® also has a complete line of models with internal blowers delivering from 390 to 1200 CFM (see your dealer for details).

Trade-Wind® ventilation systems for in-line and remote blowers can be installed in a variety of configurations. Although the in-line blower (see Item K) and duct silencer (I) shown in this example are drawn horizontally, they can be installed at any angle.

Seven Recommendations for Quietest Possible Installation

1. Include a Duct Silencer to absorb up to 70% of the motor noise transmitted inside the duct (Item I).
2. Include Fast Clamps to absorb most motor vibration noise transmitted by the metal walls of the duct (Item H).
3. Include a Damper with Neoprene® seal to avoid metal "clatter" when damper closes.
4. Trade-Wind's® Full-size Filters reduce air movement sound (Item B)
5. Consider the distance Blower is from Liner (see Item K or L)
6. Variable Speed Control reduces motor sound (see Item C)
7. Consider the Duct Configuration (see Items F, G & J)

Item Installation Guide & Parts Selection List

A	Distance from VSL Liner to Cooking Surface Bottom of Liner should be 30" – 36" from cooking surface. Island installations should be no more than 30" if possible.
B	VSL400 Series Liners <ul style="list-style-type: none"> <input type="checkbox"/> VSL430-0-BF & VSL 430-0-22-BF, designed for 8" Duct & Accessories <input type="checkbox"/> VSL436-0-BF & VSL 436-0-22-BF, designed for 8" Duct & Accessories <input type="checkbox"/> VSL442-0-BF & VSL 442-0-22-BF, designed for 10" Duct & Accessories <input type="checkbox"/> VSL448-0-BF & VSL 448-0-22-BF, designed for 10" Duct & Accessories <input type="checkbox"/> VSL454-0-BF & VSL 454-0-22-BF, designed for 10" Duct & Accessories <input type="checkbox"/> VSL460-0-BF & VSL 460-0-22-BF, designed for 10" Duct & Accessories (\$ _____)
C	Fan Control Selection <input type="checkbox"/> Variable-Speed Fan Control (\$ <u>No Charge</u>) ALL Trade-Wind® liners include a factory installed variable-speed fan control on new BF models that are designed for use with ALL Trade-Wind® PSD in-line Blowers.
D	Start Collar (Included) All Trade-Wind® liners include a factory installed start collar pre-welded to the liner. (\$ <u>No Charge</u>)
E	Damper Selection <ul style="list-style-type: none"> <input type="checkbox"/> DPR006, 6" butterfly damper with seal (\$ _____) <input type="checkbox"/> DPR008, 8" butterfly damper with seal (\$ _____) <input type="checkbox"/> DPR010, 10" butterfly damper with seal (\$ _____) The damper should be installed just above the perimeter of the heated space (the ceiling). This reduces the amount of cold or hot air traveling down the duct into the kitchen.

F	Duct Fittings (Duct Configuration) For best performance, duct pipe and fittings should be rigid metal and the same diameter as the duct pipe. Some installations may require small sections of metal flex duct. If possible, avoid “S” or back-to-back elbows. If multiple elbows must be used, work to place at least 24” between elbows. Duct fittings are typically supplied and installed by HVAC subcontractors.
G	Distance Between Elbow and Duct Silencer (Duct Configuration) To reduce turbulence and air-noise, the silencer should be installed at least twice the diameter of the duct from any elbow. - If using 8” duct, this length of duct should be at least 16”. - If using 10” duct, this length of duct should be at least 20”.
H	Fast Clamps <input type="checkbox"/> FC6, 6” Neoprene Lined Metal Clamp (\$ _____) <input type="checkbox"/> FC8, 8” Neoprene Lined Metal Clamp (\$ _____) <input type="checkbox"/> FC10, 10” Neoprene Lined Metal Clamp (\$ _____) The purpose of Fast Clamps is to reduce the motor vibration sound transmitted through the metal duct by replacing a small section of the duct with a section of vibration-absorbing Neoprene. Fast Clamps are sold in pairs and for best sound reduction, install one on each side of the blower or duct silencer. Attach the Fast Clamp to the blower with sheet-metal screws and tape. However, it is best to NOT screw the Fast Clamp to the duct pipe as this will create a continuous metal-to-metal contact. Also, for best sound reduction, the duct pipe should NOT touch the blower inlet collar inside of the Fast Clamp. This would also create metal-to-metal contact. If a duct silencer is included, it can be installed in the same manner.
I	Duct Silencer <input type="checkbox"/> PSS008, 8” Duct Silencer (\$ _____) <input type="checkbox"/> PSS010, 10” Duct Silencer (\$ _____) Duct silencers reduce the motor sound inside the duct by 65-80%! Although not required, if there is sufficient space, it is highly recommended that EVERY INSTALLATION include a duct silencer. For additional sound reduction, two silencers can be installed end-to-end. In installations requiring the blower be in a chase or wood-type hood over the range (e.g., no attic above the kitchen), the duct silencer will not be as effective in absorbing motor noise. In addition, there will likely be motor sound transmitted through the walls of the chase, bypassing the duct silencer. <i>Where possible—attic or remote installations are always recommended.</i> Duct silencers have no moving parts and can be attached with pipe strap to a structural support.
J	Duct Length between Duct Silencer and Blower (Duct Configuration) It is best to place the duct silencer within 2 - 4 feet of the blower for maximum noise reduction. For best sound reduction, do not fasten the silencer directly to inlet of the blower.
K	In-Line Blower (use only if roof or wall mounted remote blower is not used) <input type="checkbox"/> PSX006, 392 CFM, 6” Blower, Variable Speed Fan (will also need a 6” x 8” duct transition piece) (\$ _____) <input type="checkbox"/> PSD008, 836 CFM, 8” Blower, Variable Speed Fan (\$ _____) <input type="checkbox"/> PSD010, 1266 CFM, 10” Blower, Variable Speed Fan (\$ _____) <input type="checkbox"/> _____ (other UL listed model). (\$ _____) For best efficiency, the in-line blower should be installed near or slightly beyond the mid-point of the overall venting system. However, the further the in-line blower is installed from the liner, the quieter the installation will be. DO NOT attach the blower directly to the liner. If a 3-speed blower is used, the variable-speed control should be replaced with a 3-speed switch provided by others (Item C). Trade-Wind® variable-speed, in-line blowers are to be wired directly to the liner’s variable-speed fan control. The in-line blower’s mounting brackets are designed for flexible and easy installation at any angle—horizontal, vertical or diagonal. The brackets should be bolted directly to a 2” x 4” type wood framing structure (e.g., an attic truss) or suspended by threaded rod or angle iron. The installation should be sufficient to support the blower’s weight.
L	Roof or Wall Mounted Remote Blower (include ONLY if in-line blower is not used) <input type="checkbox"/> _____ (Other UL listed brand) (\$ _____) If a 3-speed roof or wall-mounted blower is used, it is necessary to use a 3-speed fan control (Item C). <input type="checkbox"/> Roof Cap or Wall Cap (Supplied by others) Use an 8” or 10” roof or wall cap, if remote blower is not used. (\$ _____)

These guidelines are the manufacturer’s suggestions. Always observe local municipal and state building codes. Trade-Wind Manufacturing, LLC® has a policy of continuous improvements and reserves the right to modify (at any time and without notice) any or all of its products, features, designs, components and specifications. *For exact dimensions, see the Installation Instructions included with each product.* Some features may be slightly different than shown on product literature.



For more information, please contact your Trade-Wind® Representative

800 West Grant Street, Phoenix, AZ 85007
1-800-955-5737
602-900-8500
t-wusa.com

MODEL	INSIDE/OUTSIDE DIAMETER	LENGTH
PSX006XL	5 9/10" / 10 1/4"	23 3/5"
PSS008XL	7 9/10" / 12 2/5"	23 3/5"
PSS010XL	9 4/5" / 14"	35 2/5"



READ AND SAVE THESE INSTRUCTIONS

Before beginning installation, please thoroughly read and become familiar with these instructions. Installation and service must be completed by a qualified installer. Failure to properly install this product may void the warranty. Always observe local building codes.

DESCRIPTION:

Trade-Wind® Duct Silencers are designed with a perforated lining and diffuser material that provides noise absorption for Trade-Wind® (and other brands) In-Line and Remote Mount Ventilators. The PSS Duct Silencers are shipped permanently assembled and contain no moving parts for operation. They can be mounted at any angle.

PLANNING THE INSTALLATION:

Before securing the PSS Duct Silencer, place (or hang) the Duct Silencer on a structurally adequate frame and align with the rigid duct. It is best to place the Duct Silencer within 2 - 4 feet of the blower / ventilator for maximum noise reduction. DO NOT fasten the Duct Silencer directly to inlet of the blower / ventilator. Also, MAKE SURE the Duct Silencer is installed at least twice the diameter of the duct away from any elbow. Otherwise, there will be increased turbulence, which will generate increased noise.

CONNECTING THE DUCT SILENCER:

After properly aligning and supporting the Duct Silencer, connect it to the duct. Fasten in place by using sheet metal screws and duct tape or FC Clamps*. Fast Clamps (FC Clamps) are the recommended connectors for connecting the Duct Silencer and / or blower / ventilator to the duct system. The clamps have pre-drilled hanging tabs, are easy to connect and work extremely well as a vibration absorber and noise suppressor. They are made of steel and are lined with a 3/8" neoprene pad. If FC Clamps are used to connect the blower / ventilator to the duct system, it is not necessary to use them on the Duct Silencer for vibration suppression.

CAUTION: Do not hang "PSD" blower / ventilator models from the FC Clamp's hanging tabs. Instead, use the integral brackets built into the blower / ventilator housing.

PSS Duct Silencers weigh more than identical lengths of standard rigid duct. You must adequately support the silencer by hanging or framing. The Duct Silencer is not designed to serve as support for any piping or loads on the inlet or outlet other than the duct connections.

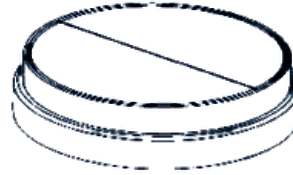
*FC Clamps are sold separately and are available from Trade-Wind® through your Trade-Wind® supplier. Model numbers FC6 (6"), FC8 (8") or FC10 (10") each have two per box.

For more information, please contact your dealer or your TRADE-WIND® representative.

800 WEST GRANT STREET
PHOENIX, AZ 85007
1-800-955-5737
602-900-8500
T - W U S A . C O M



MODEL	WIDTH	HEIGHT
DAMPER	7"	1 ¾"



*(PLASTIC/BLK)

Before beginning installation, please thoroughly read and become familiar with these instructions. Installation and service must be completed by a qualified installer. Failure to properly install this product may void the warranty. Always observe local building codes.

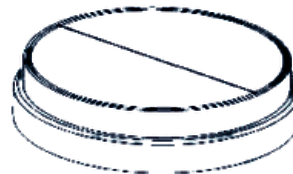
INSTALLATION INSTRUCTIONS:

Select a mounting location. This damper reduces the amount of cold or hot air traveling down the duct into the kitchen. For horizontal duct installations, the damper must be installed so that the axis of the damper blade is vertical. For vertical duct installations, the damper can be installed with the damper blade axis pointing in either direction. In slanted or angled installations, the damper axis must point to the high side and low side of the duct. Because of gravity, mounting the damper in an inverted or incorrect axis position will prevent the blades from closing. The preferred installation is in a section of vertical duct.

>>> NOTE: Range hood ducting and metal elbows are not included in this kit. These parts are typically available at building supply companies, e.g., Home Depot, Lowe's and most heating & air conditioning supply companies.



MODEL	WIDTH	HEIGHT
DAMPER	7"	1 ¾"



*(PLASTIC/BLK)

Before beginning installation, please thoroughly read and become familiar with these instructions. Installation and service must be completed by a qualified installer. Failure to properly install this product may void the warranty. Always observe local building codes.

INSTALLATION INSTRUCTIONS:

Select a mounting location. This damper reduces the amount of cold or hot air traveling down the duct into the kitchen. For horizontal duct installations, the damper must be installed so that the axis of the damper blade is vertical. For vertical duct installations, the damper can be installed with the damper blade axis pointing in either direction. In slanted or angled installations, the damper axis must point to the high side and low side of the duct. Because of gravity, mounting the damper in an inverted or incorrect axis position will prevent the blades from closing. The preferred installation is in a section of vertical duct.

>>> NOTE: Range hood ducting and metal elbows are not included in this kit. These parts are typically available at building supply companies, e.g., Home Depot, Lowe's and most heating & air conditioning supply companies.

MODEL	DIAMETER	HEIGHT
FC6	6"	2 3/8"
FC8	8"	2 3/8"
FC10	10"	2 3/8"



READ AND SAVE THESE INSTRUCTIONS

Before beginning installation, please thoroughly read and become familiar with these instructions. Installation and service must be completed by a qualified installer. Failure to properly install this product may void the warranty. Always observe local building codes.

DESCRIPTION:

Trade-Wind® Fast Clamps are designed to isolate and absorb motor vibration noise transmitted by the walls of the duct with a 3/8" neoprene lining. In addition, the Fast Clamps secure the ventilation duct to the in-line blower, duct silencer or damper.

INSTALLATION DETAILS:

Fast Clamps are packaged two per box. For best sound reduction, install one on each side of the blower. Position the end of the metal duct pipe approximately 1/4" from the end of the blower's vent collar. In order to minimize vibration, the blower collar should not touch the metal duct on either end. Tighten the two adjustment screws until the fan and the duct are securely attached.

>>> IMPORTANT: The Fast Clamp must also be attached to the blower collar with 3 or 4 equally spaced sheet-metal screws and duct tape. Without the additional sheet-metal screws and duct tape, the in-line blower may unintentionally separate from the Fast Clamps. To reduce the possibility of vibration noise, it is best to NOT screw the Fast Clamp to the duct pipe, only to the blower. Placing sheet metal screws through the blower side of the Fast Clamp AND the duct side of the Fast Clamp will create metal-to-metal contact that will transfer vibration noise. The Fast Clamp should be attached to the duct pipe with duct tape only.

Trade-Wind® Fast Clamps are equipped with integral hanging tabs. DO NOT hang the blower mechanism from these tabs on the Fast Clamps (these tabs are not designed to support the weight of the blower mechanism unit). All Trade-Wind® in-line blowers and most other brand in-line blowers are equipped with the necessary support brackets to hold their weight.

For more information, please contact your dealer or your TRADE-WIND® representative.

800 WEST GRANT STREET
PHOENIX, AZ 85007
1-800-955-5737
602-900-8500
T-WUSA.COM